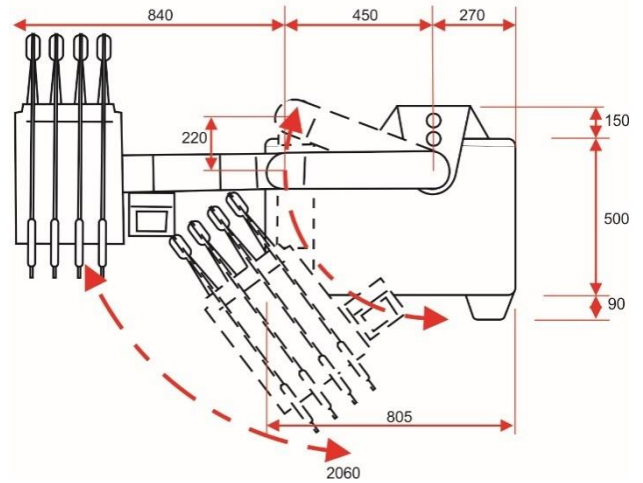
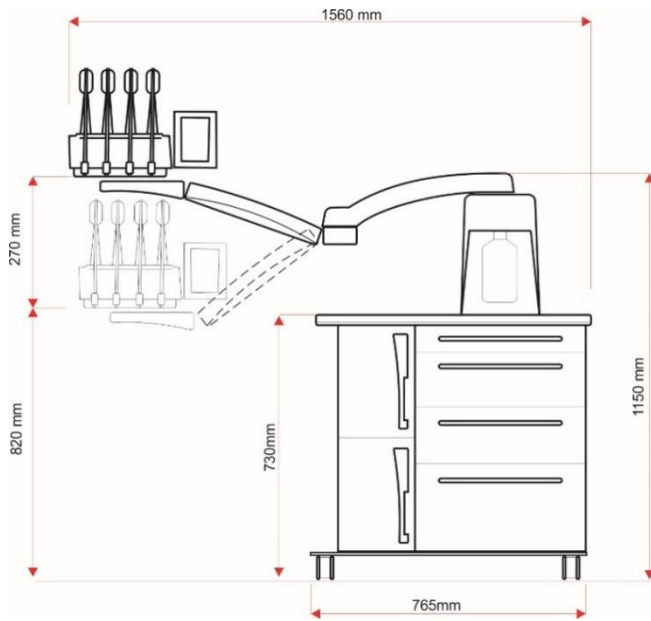


## OPERATING UNIT

# DENEBO



### Technical characteristics

- Operating voltage: 24 V
- Air: 5 bar, 50 l/min
- Power supply: 230 v/115 v, 250 W
- Weight: 115 Kg

### CHEST OF DRAWERS' CONFIGURATION



#### WITHOUT HANDLES

Drawers mounted on "push" slides that allow the opening of the drawer with a slight pressure on the front panel.



#### WHITE HANDLES

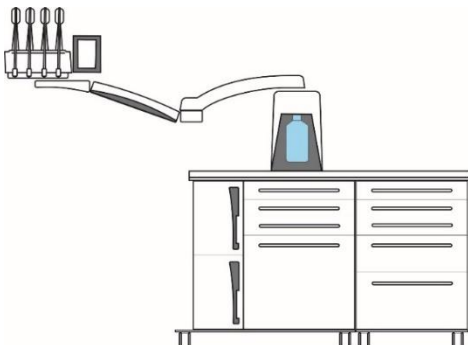
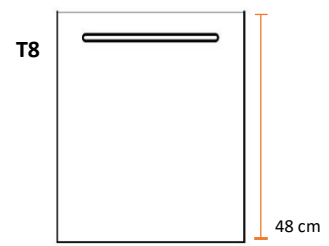
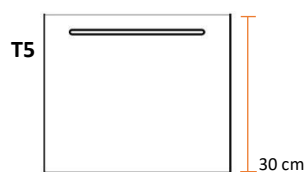
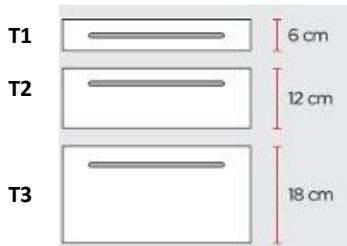
Drawers mounted on soft closing slides and equipped with a newly designed aluminum handle painted in white.



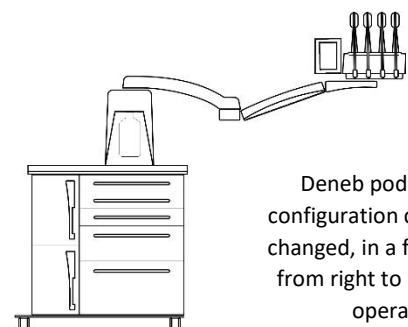
#### COLORED HANDLES

Drawers mounted on soft closing slides and equipped with a new design aluminum handle painted in a color of your choice from Stern Podia selection.

### TYPE OF DRAWERS (T1/T2/T3) AND DOORS (T5/T8):














Possibility to configure the podiatric unit with an additional chest of drawers.



Denebo podiatry unit configuration can be easily changed, in a few seconds, from right to left handed operator.

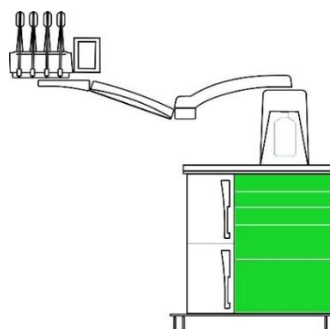
## DRAWERS' INTERNAL INSERTS

T1	 without partitions	 4 partitions	 tools' holder	 8 partitions	 16 partitions
T2	 2 partitions	 6 partitions	 without partitions		
T3	 2 partitions	 6 partitions	 without partitions		

## COLOR KIT



**Option:**  
**front panel's drawers painted**  
**in the same color**



Emerald AL 906    Sea Cruise AL 896    Turquoise AL 910    Regimantal Blue AL 821    Aubergine AL 908    Mango AL 904    Wine AL 836    Cayenne AL 901    Honey AL 912



Old Rose AL 913    Sea Oyster AL 827    Cream AL 844    Sandalwood AL 874    Beechwood AL 860    Chocolate AL 911    Grey AL 808    Ash AL 806    Black AL 802